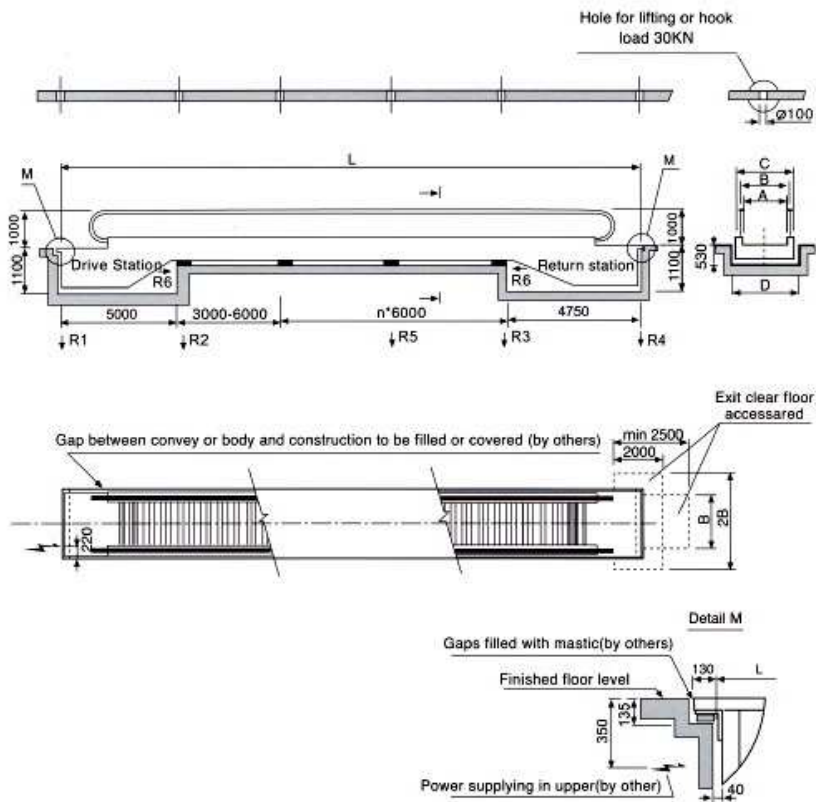


## KYHP0°-6° Horizontal Passenger-Conveyor Layout Drawing



Type	A	B	C	D	Speed
KYHP-800	800	1110	1400	1460	V=0.5m/s
KYHP-1000	1000	1310	1600	1660	

- All dimensions in (mm).